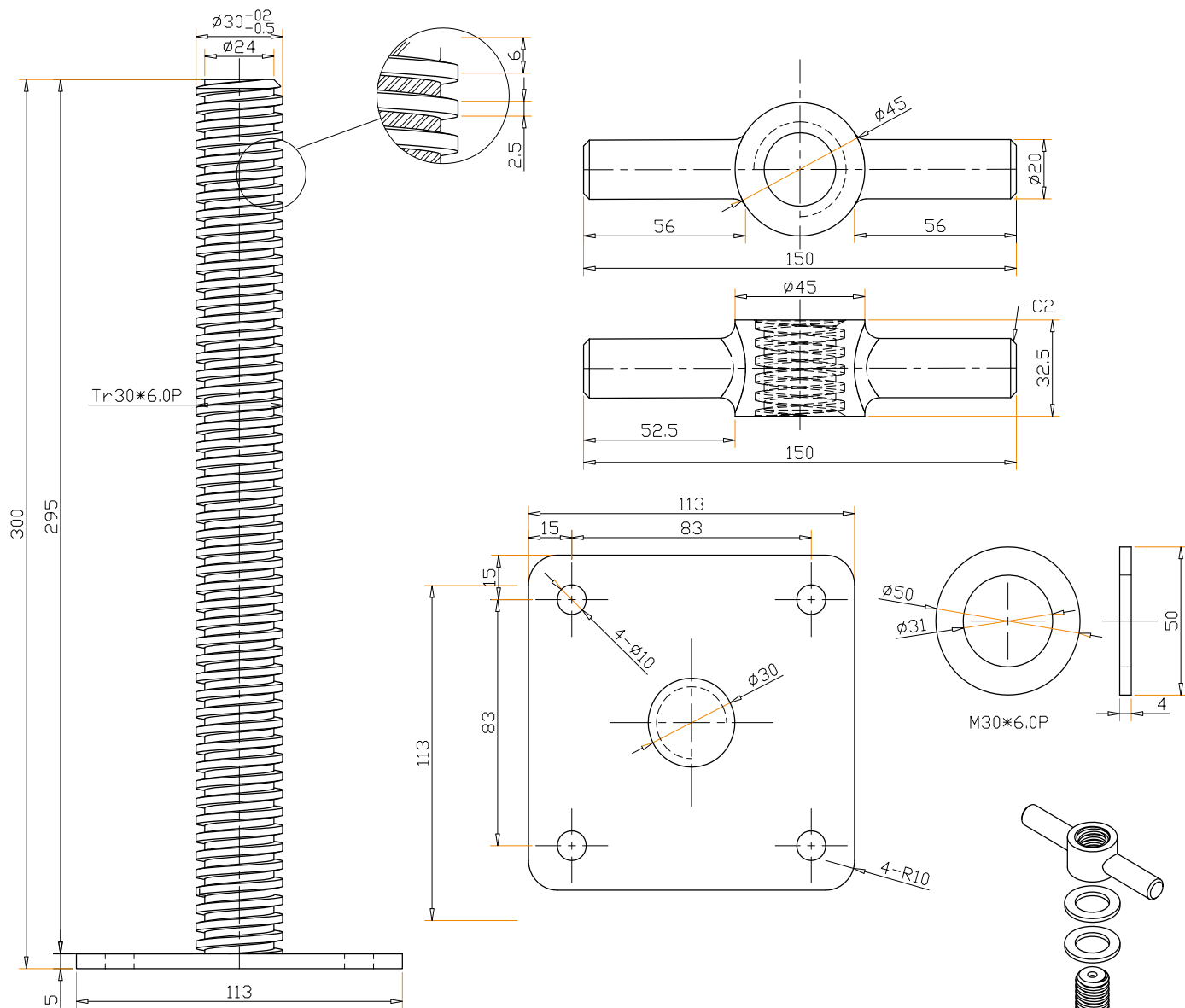


SCREW JACK FOR BASE OUTRIGGER SHORT 30CM

49238



04	164*32.5* ϕ 45	S45C	ZP	2
03	ϕ 50* ϕ 31*4t	S45C	ZP	2
02	Tr30*6.0P*295mm	S45C	ZP	1
01	113*113*5t	S45C	ZP	1
NO.	SPEC.	MATERIAL	F.IN.	QTY.

