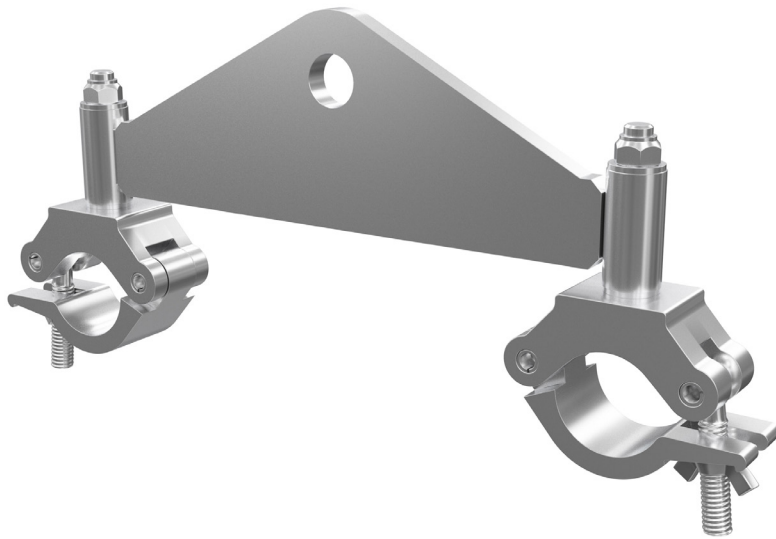


GIZMO FOR iM-TYPE

DATA SHEET



With the Global Truss Gizmo for iM-Type it is possible to suspend trusses in a fast and secure way. The design offers a high load capacity and is suitable with Global Truss iM - Type trusses.

The Gizmo is suitable for operation above persons and is delivered with two half-couplers.

This Gizmo is available in two versions:

GIZMO35
GIZMO35-B

Galvanized
Stage Black finish

TECHNICAL DATA

Load: 1500 kg / WLL
750 kg above people
System: for iM-Type
Hole: 25 mm

Inclusive two Half-Coupler (Code 8121)

