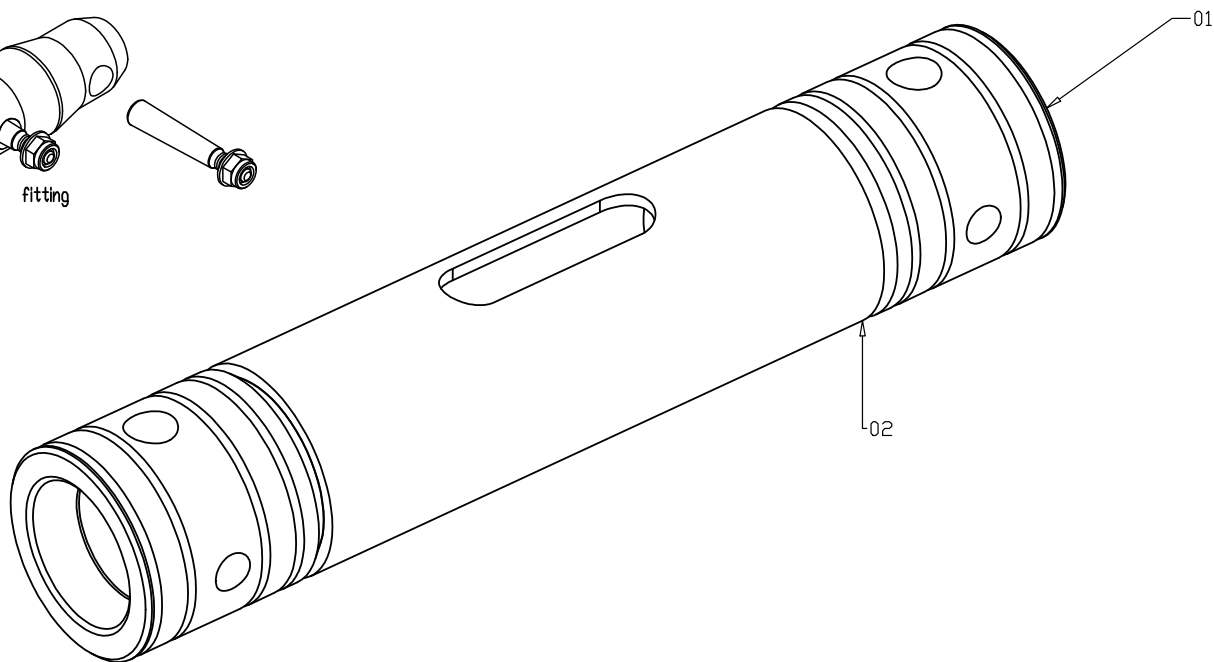
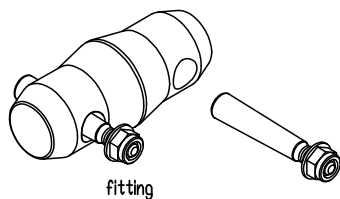
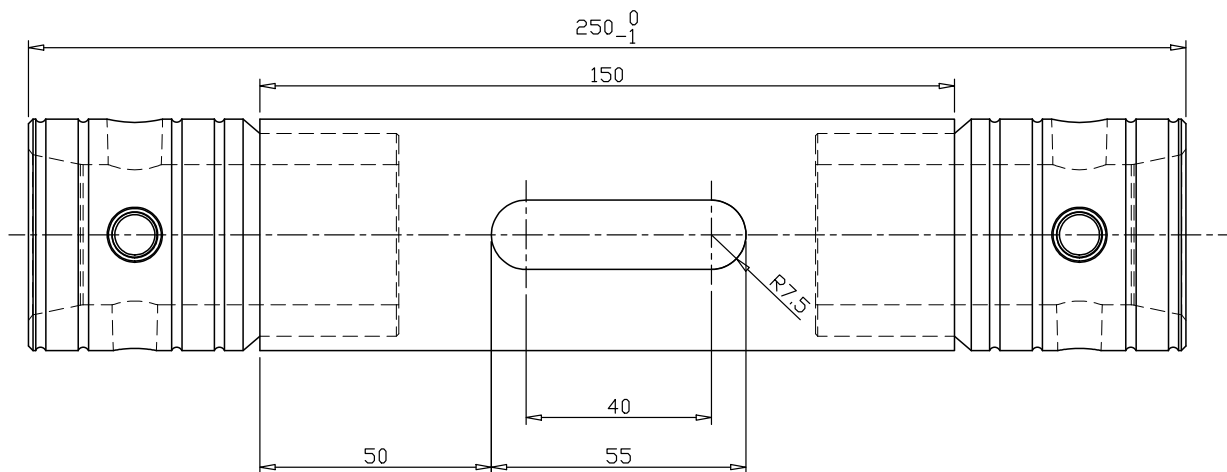


# F31 MODULAR SYSTEM 25CM

F31M025-B



fitting	ST5005	S45C	ZP	2
	DMS-01-3	#2011	T6	1
02	∅50*3.0t*150mm	#6082	T6	1
01	DMS-01-2CUR	#6082	T6	2
NO.	SPEC.	MATERIAL	FIN.	QTY.